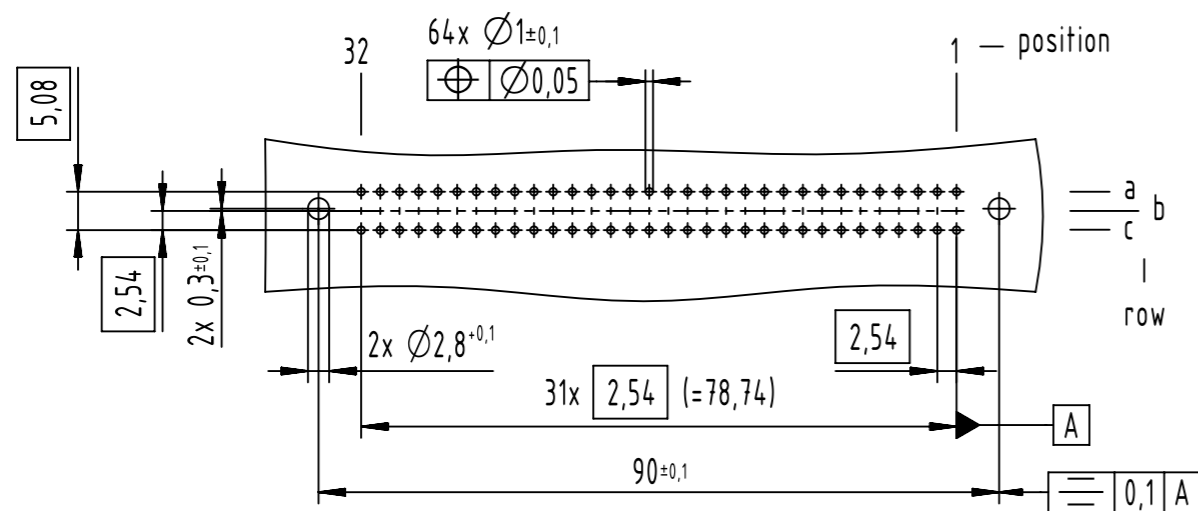


1 2 3 4 5 6 7 8

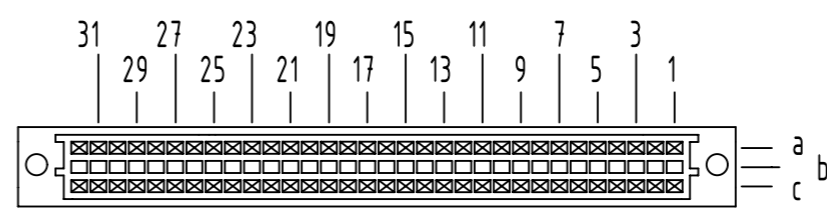
A  
B  
C  
D  
E  
F

A  
B  
C  
D  
E  
F

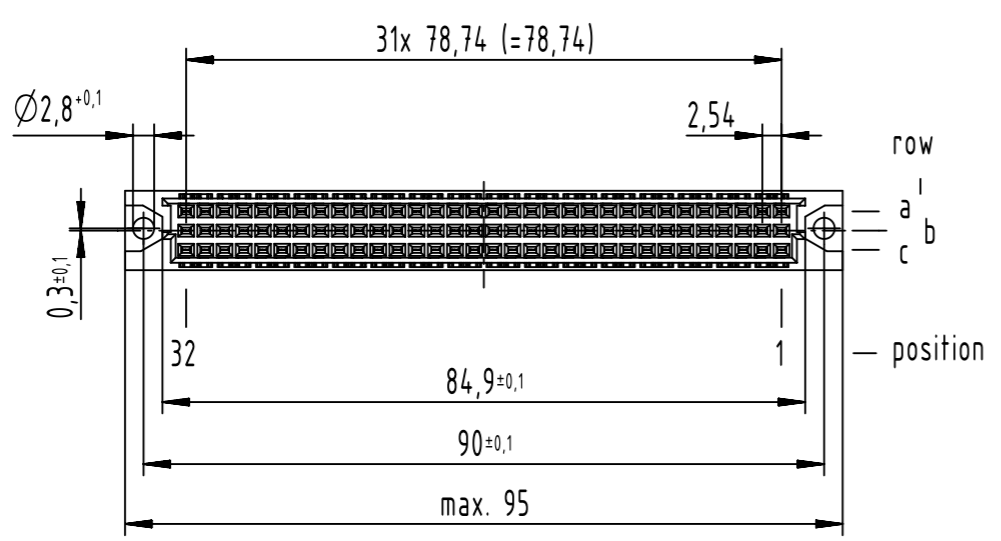
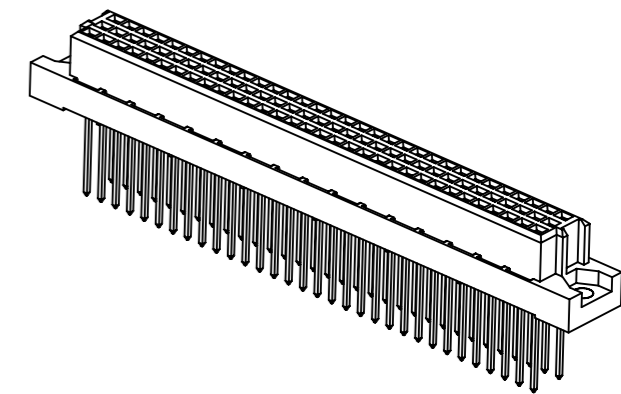
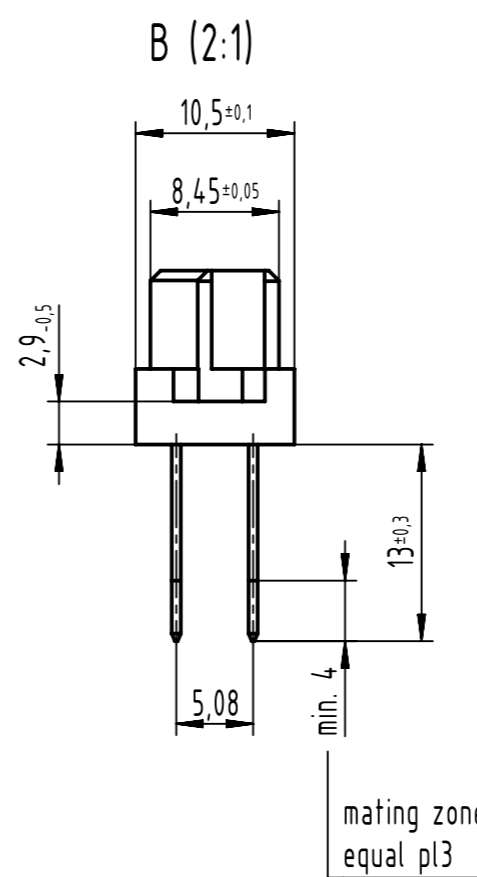
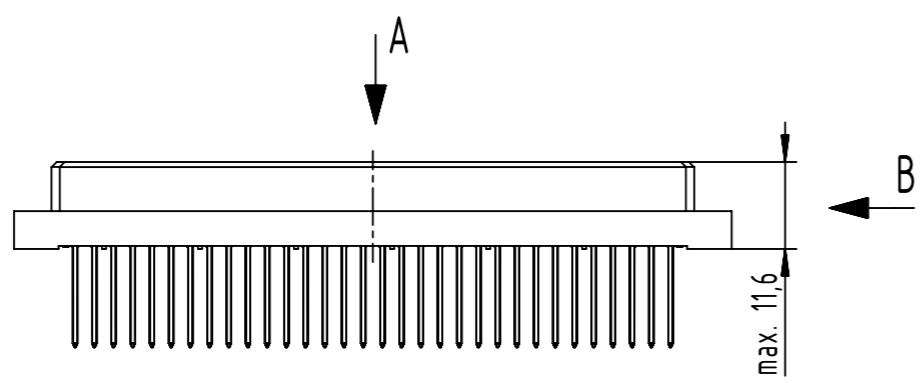
**A**  
board drillings



**A**  
contact arrangement



64 wire wrap contacts  
 ☒ = wire wrap contact  
 □ = position without contact



09 03 264 6878	2
part no.	performance level

further information see product data sheet

 HARTING D-32339 Espelkamp	All rights reserved Department EL PD	All Dimensions in mm Original Size DIN A3	Scale 1:1 Free size tol. IEC 60603-2	Ref. Sub.	Date 2021-03-23	State Final Release	Doc-Key / ECM-Nr. 100072232/UGD/081/D 500000191082
		Created by STORCK	Inspected by LEHNERT	Standardisation 302077	Title DIN Signal type C female WW 13.0 64-pole rear I/O		Rev. D
		Type TB	Number 0903264X878				

1 2 3 4 5 6 7 8